

REV.	DESCRIPTION	DATE
A	RELEASE	Apr 03, 2021

NOTES:

SPECIFICATION:

1. CURRENT RATING: 3.0A MAX
2. DIELECTRIC WITHSTAND VOLTAGE: 100VAC
3. TEMPERATURE RANGE: -30 °C ~ 85 °C
4. CONTACT RESISTANCE: 40 MILLIONHM MAX
5. INSULATION RESISTANCE: 100 MEGOHMS MIN.
6. INSERTION FORCE : 5N~20N
7. UNMATING FORCE: 8N~20N
8. DURABILITY:10,000 CYCLES

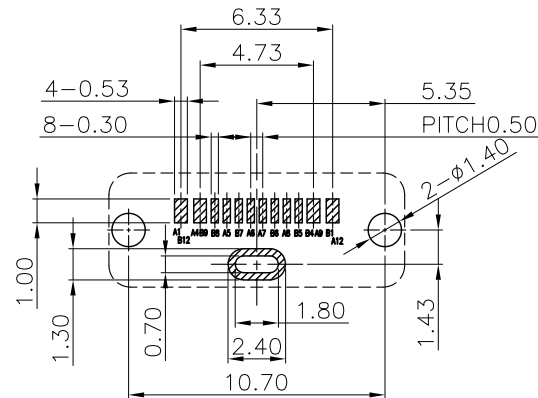
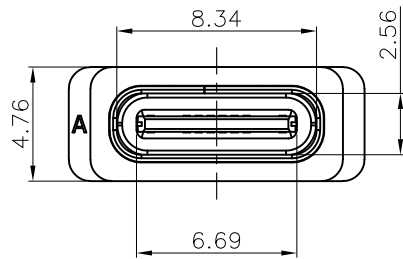
PART NUMBER INFORMATION :

239F816-XN4W1S-X

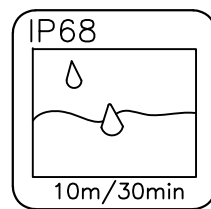
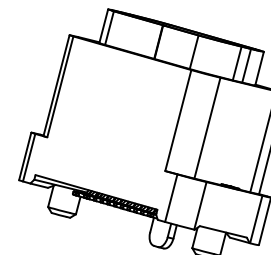
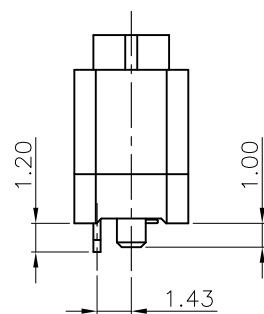
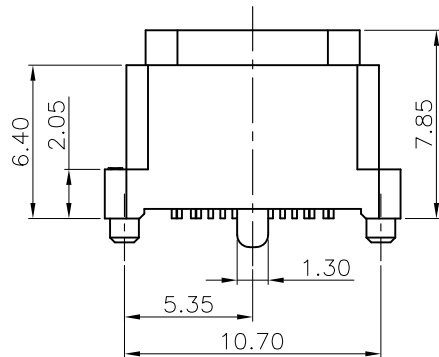
SERIES CODE | SMT 180° | FEMALE SINGLE TYPE | TYPE C | NUMBER OF POSITIONS

R:RoHS
H:HALOGEN FREE

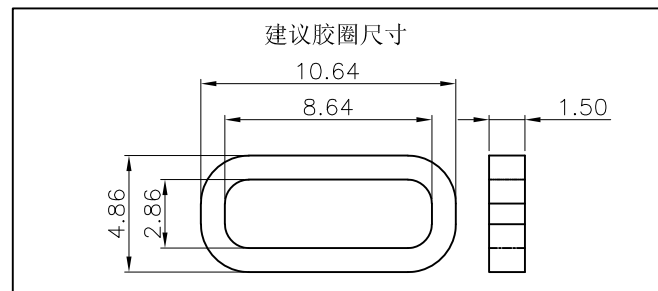
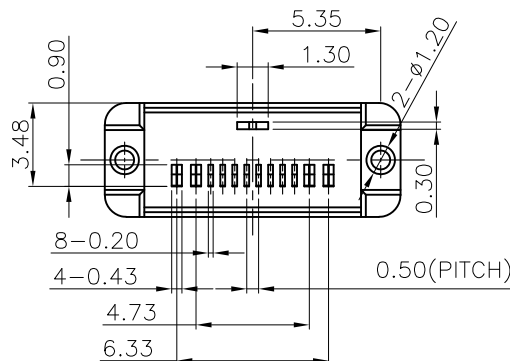
FOLLOW NUMBER
UPRIGHT TYPE
NICKEL PLATED
PLATING SEE TABLE



RECOMMEND PCB LAYOUT
TOLERANCE: ±0.05 TOP VIEW



A1	GND	B12	GND
A4	VBUS	B9	VBUS
A5	CC1	B8	SBU2
A6	DP1	B7	DN2
A7	DN1	B6	DP2
A8	SBU1	B5	CC2
A9	VBUS	B4	VBUS
A12	GND	B1	GND
PIN	SIGNAL NAME	PIN	SIGNAL NAME



NO.	DESCRIPTION	MATERIAL	REMARKS	QTY
6	防水圈	硅胶	BLACK	1PCS
5	SHELL	STAINLESS STEEL	NI Plated	1PCS
4	SHIELDING PLATE	STAINLESS STEEL	NI Plated	1PCS
3	CONTACT	COPPER ALLOY	Au/NI Plated	1SET
2	SHELL HOUSING	HIGH TEMPERATURE PLASTIC	BLACK	1PCS
1	HOUSING	HIGH TEMPERATURE PLASTIC	BLACK	1PCS

DESCRIPTION OF PLATING ON TERMINALS			
NO.	EXPLAIN	NO.	EXPLAIN
0	GOLD FLASH	3	GOLD 15u''
1	GOLD 5u''	4	GOLD 20u''
2	GOLD 10u''	H	G/F + TIN'

TOLERANCE .0=±0.30 .00=±0.20 .000=±0.05 ANG.=±2'	DRAWER <i>ZU</i> CHECK <i>ZU</i> APP'D <i>ZU</i>	INMO 东莞市英墨电子有限公司 INMO Electronics Co.,Ltd
UNITS : mm	PRODUCT SPEC.	
SCALE 1:2	SIZE A6	NAME TYPE C 16P 立贴 IP68
SHEET 1 OF 1	REV. B	DRAW NO. R239F816-XN4W1S-X